



GROUTING EQUIPMENT DIVISION

WINCHESTER, VA



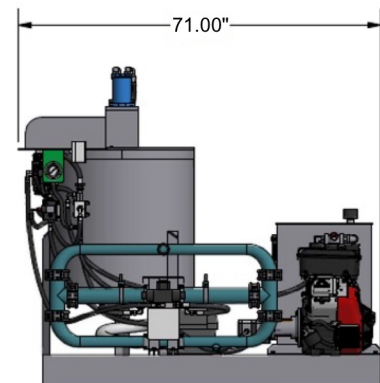
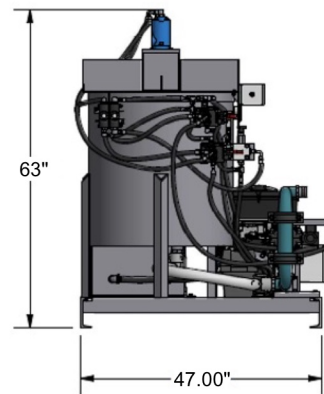
PD285

HIGH PRESSURE
PADDLE MIXER

Specifications

- ▶ Variable Speed Paddle Mixer
- ▶ Various Power Options
- ▶ 65 Gallon Mix Tank
- ▶ Equipped with 500 or 1000 PSI pump
- ▶ Skid Mounted Frame
- ▶ Dimensions: 63" x 47" x 71"
- ▶ Weight: 1,200lbs

The PD285 paddle mixer is specifically designed for the geothermal and well drilling industries. It is equipped with our PDGP20-500 high-pressure piston pump to deliver a higher pressure output to your drilling hole. The larger tank size and increased pump pressure enable you to efficiently grout all day long without any interruptions.



We offer in-stock units for quick sales and rentals. Additionally, we can customize this model to meet your specific requirements.

FOR MORE INFORMATION:

 866-459-5309

 SALESVA@PENNDRILL.COM

 PENNDRILL.COM