



GROUTING EQUIPMENT DIVISION

WINCHESTER, VA



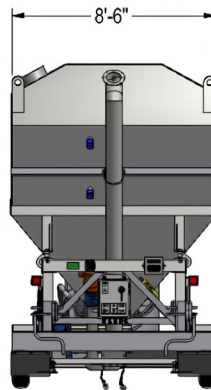
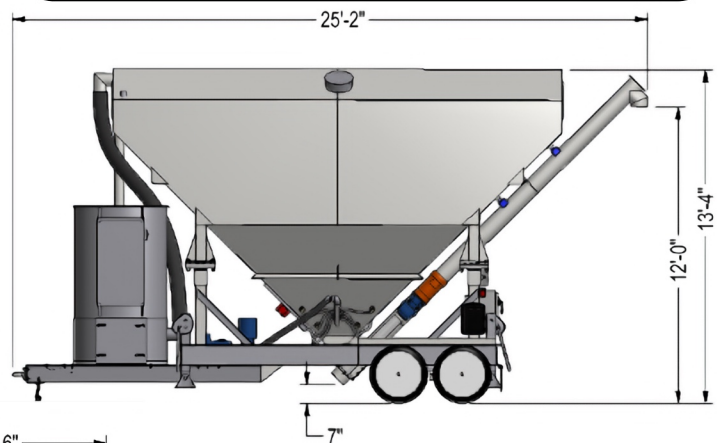
PD800

HORIZONTAL
PORTABLE
CEMENT SILO

Specifications

- ▶ Electric: 480V - 3 Phase
- ▶ 60,000 lbs. Capacity
(200 bbl/800ft³)
- ▶ 8 ft Screw Conveyor
- ▶ Weight Batching System with pendant equipped
- ▶ Aeration System
- ▶ Dust House and Bin Vibrator
- ▶ Dimensions: 302" x 160" x 102"
- ▶ Weight: 8,700 lbs.

The PD800 is a portable horizontal cement silo that can carry a wide range of materials. This unit pairs perfectly with the PD1011H Grout Plant to make the most efficient grout production all while operated by one person. The weight batching system and pendant controls allow for easy use and efficiency. The PD800 is also highway ready on two 6000 lb. axles with electric brakes and lights.



EFFICIENT BULK MATERIAL DELIVERY SILO

Our PD800 is a low-profile, 200-barrel (800-bag) silo that delivers cement, bentonite, or other materials to the mixing tank with the push of a button. This eliminates the need for bags, reduces cleanup, and increases accuracy by using bulk materials. It also saves time and money by lowering product and labor costs.



We offer in-stock units for quick sales and rentals. Additionally, we can customize this model to meet your specific requirements.

FOR MORE INFORMATION:

866-459-5309

SALESVA@PENNDRILL.COM

PENNDRILL.COM