



# PD15

## 6000LB SILO

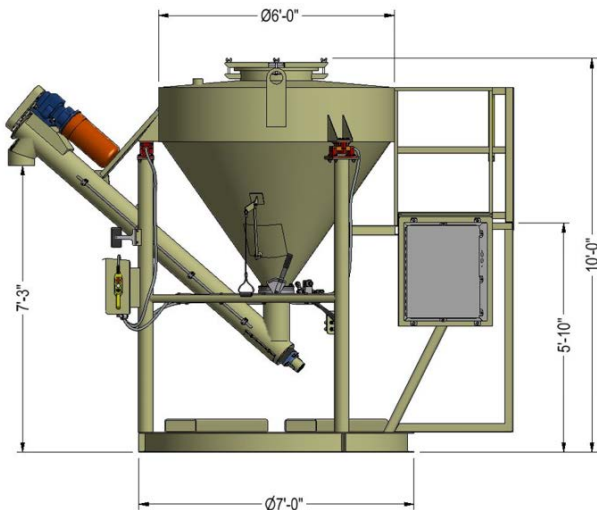
PENNDRILL MANUFACTURING  
321 ARBOR COURT  
WINCHESTER, VA 22602

FOR MORE INFORMATION:  
TOLL FREE: (866) 459-5309  
OFFICE: (540) 771-5882  
FAX: (540) 665-5206

### WHY USE A PD15 SILO?

With the PD15 Silo alongside a PennDrill Colloidal Grout Plant you'll have the resources for producing a continuous grout supply. As soon as you empty the mixing tank, and before emptying the holding tank, you're ready to begin a new batch. All this with one operator, saving you on labor cost.

PennDrill's PD15 silo, with the touch of a button, delivers the cement, bentonite or other material to the mixing tank in the required amount. This means no bags, no lifting, and much less clean up. Going bulk saves you time and money by purchasing your material in larger quantities. This lowers both the cost of the product and labor because there is less handling compared to bagged quantities. By taking grout bags out of the picture, you reduce the risk of contamination and increase material measurement accuracy.



### SPECIFICATIONS:

- 5 HP, 8" Screw Conveyor
- 480 V, 3-Phase or Hydraulic Power Hook-up
- 6,000 lb. Capacity
- Tank Mounted on Load Cells with Weigh Batch System & Pendant
- Overall Size: 13'-0"L x 7'-10"W x 10'-0"H

PENNDRILL MAINTAINS ALL COMMON WEAR  
ITEM REPLACEMENT PARTS IN STOCK

